



Main Features:-

- ◆ 2pc Design Stainless Ball Valve
- ◆ Male x Female Threaded Ends Wing Handle
- ◆ BSPP Full Bore, Anti Blow Out Stem
- ◆ PTFE seats and Seals
- ◆ -10C to +180C Temperature Rating PN63

*Temperature and pressure determined by valve body, seat etc.

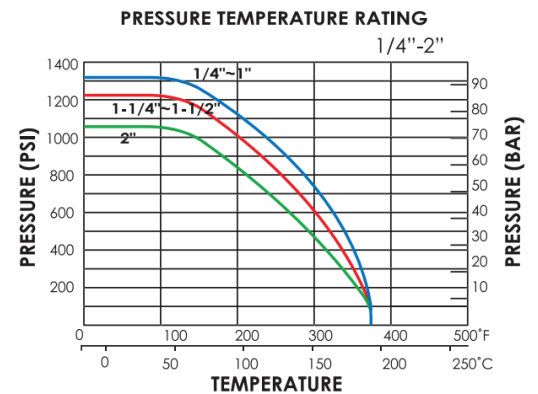
Suitable Applications & Approvals:



SERIES: 10110

MANUFACTURER: **AVOL**
INDUSTRIAL VALVES

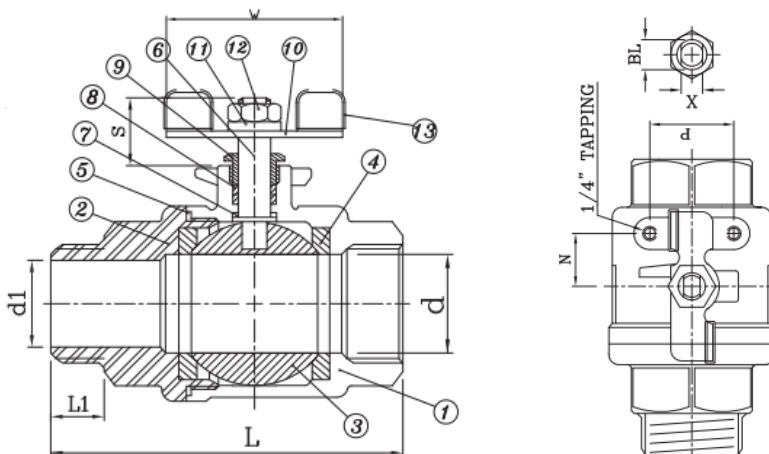
PRESSURE & TEMP CHART



SIZE	CODE	L	L1	W	S	X	P	CV
1/4"	10110	63	12.6	60.2	16.5	5	28.5	6.6
3/8"	10110	63.5	132.2	60.2	16.5	5	28.5	7.9
1/2"	10110	74	16.7	60.2	16.5	5	28.5	11.2
3/4"	10110	82	18.2	80.0	20.0	6.5	34.8	21.0
1"	10110	98.5	21.0	100	23.5	8	34.8	35.0
1 1/4"	10110	112.4	23.5	100	23.5	8	38.1	57.0
1 1/2"	10110	126.4	23.5	100	25.5	9	38.1	80
2"	10110	151.7	27.8	100	25.5	9	38.1	148

VALVE DIMENSIONS

DIMENSIONAL DRAWING OF VALVE



MATERIALS OF CONSTRUCTION

BODY	SS ASTM A351
BALL	SS ASTM A351
BODY SEAT	PTFE
STEM	AISI 316 SS
ORINGS	PTFE
PRESSURE	PN63
TEMP	-10 to +180C

T +44 (0)1386 552369

E sales@allvalves.co.uk

W www.allvalves.co.uk

F +44 (0)1386 554227

